



LAVASCIUGA CRS 90 BT -GR.SC.- COMET (9070000900)

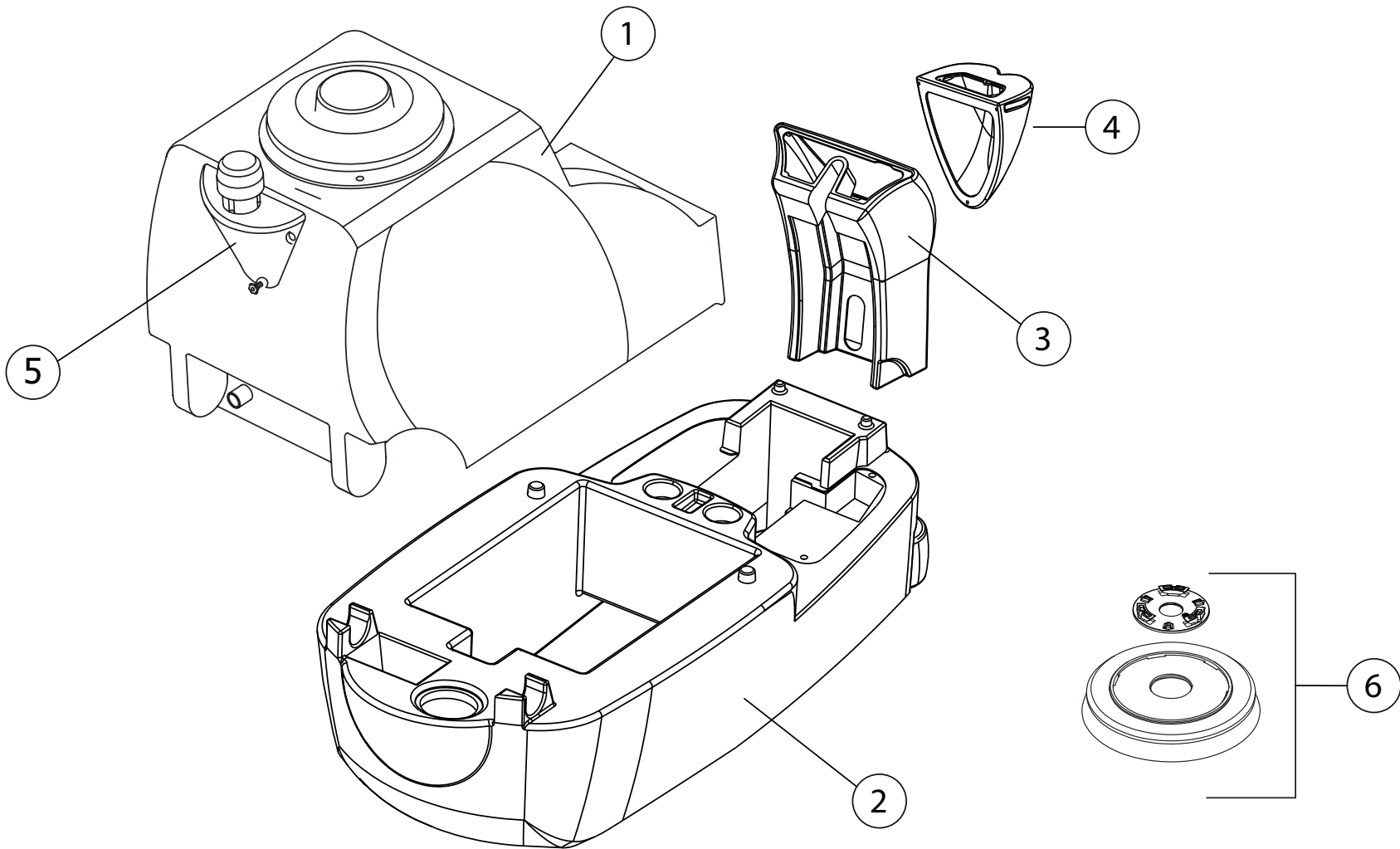
Content filters: validity 10/01/2020

10/01/2020

8.575.0020 - LAVASCIUGA CRS 90 BT -GR.SC.- COMET (9070000900).....	3
R85750020 - LAVASCIUGA CRS 90 BT -GR.SC.- COMET (9070000900).....	4
R55091235 - GRUPPO TELAIO KRON S2 (30060112+30060113).....	6
R55091180 - GRUPPO STERZANTE KRON S 09/06.....	9
R55091183 - GRUPPO MOTORUOTA KRON S-R 90 (30060112).....	11
R55111151 - ASSIEME MOTORUOTA 09/06.....	13
R55092155 - GRUPPO PIATTO SPAZZOLE KRON S3 EV/COMFORT S-R 90/ A18-R 90.....	15
R55111147 - ASSIEME SQUEGEE KRON S2 09/06.....	17
R55111426 - ASSIEME SUPPORTO SQG UNIFICATO F2/MIDI-R/ZERO/XS/S/SR.....	19
R55091343 - GRUPPO IMPIANTO ELETTRICO COMFORT SR -2007-.....	21
R55111278 - ASSIEME CRUSCOTTO ANTERIORE.....	23
R55111594 - ASSIEME CRUSCOTTO POSTERIORE CON STACCABATTERIA+SPA GALLEG.....	25
R55111276 - ASSIEME COMPONENTI SERBATOI COMFORT SR 2007.....	27
R55111845 - ASSIEME SPAZZOLA PPL MOD 32- SR90 D457/18 DX/SX SETOLE DIRITTE.....	30

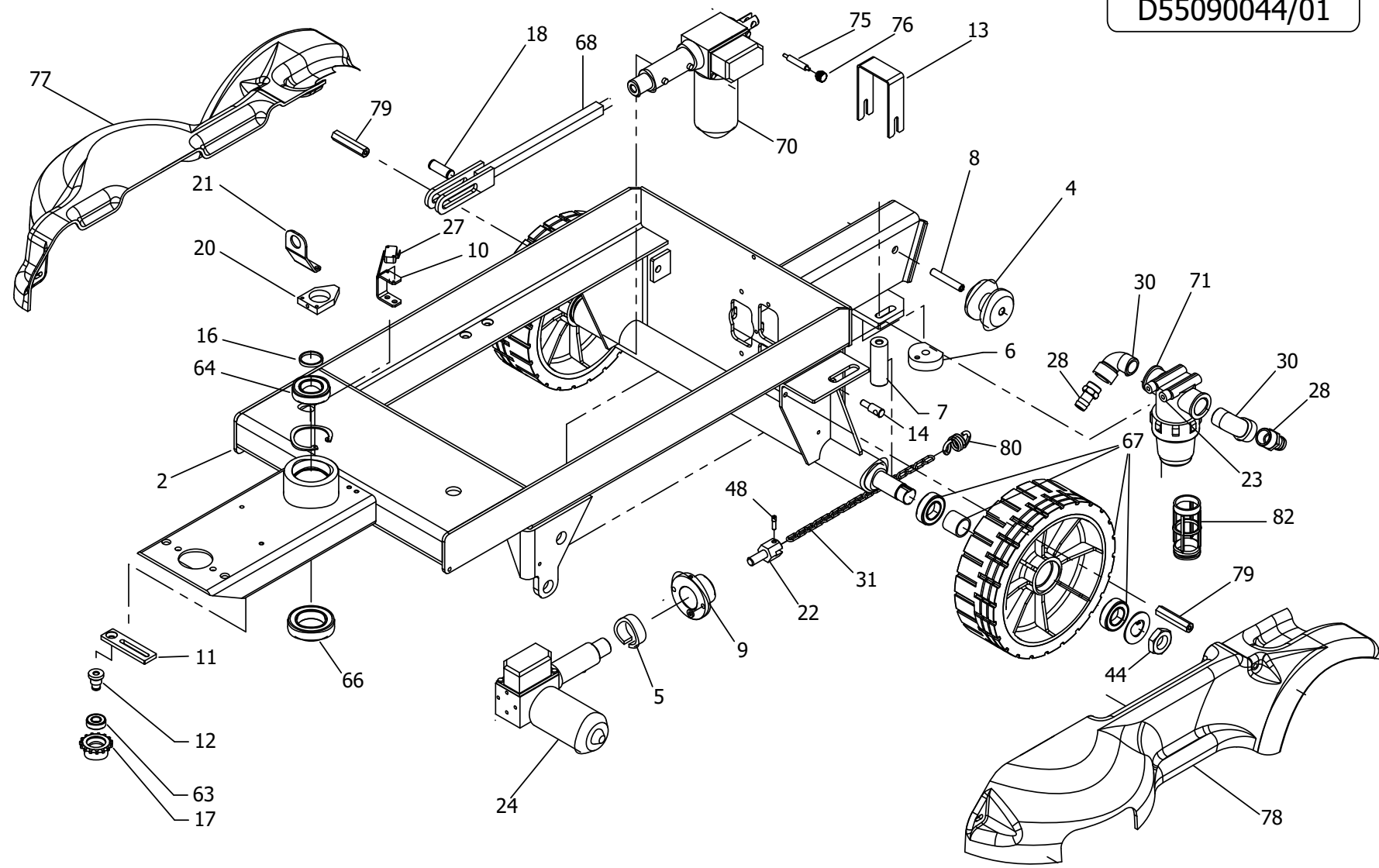
Pos.	Code	Description
0	R85750020	LAVASCIUGA CRS 90 BT -GR.SC.- COMET (9070000900)

D85750020/01



Pos.	Code	Substituted by	Q.ty	Purchasable	Min. Q.ty	For mainten.	Description
0	R55091235		1	No			GRUPPO TELAIO KRON S2 (30060112+30060113)
0	R55091343		1	No			GRUPPO IMPIANTO ELETTRICO COMFORT SR -2007-
0	R55111276		1	No			ASSIEME COMPONENTI SERBATOI COMFORT SR 2007
0	R55111845		1	No			ASSIEME SPAZZOLA PPL MOD 32- SR90 D457/18 DX/SX SETOLE DIRITTE
001	4.508.1676		1	Yes	1		RECOVERY TANK COMFORT-SR DARKGREY RAL.7021
002	4.508.0547	5.511.1589	1	Yes	1		SOLUTION TANK -COMFORT S-
003	4.508.1678		1	Yes	1		FRONT COVER COMFORT-SR DARK GREY RAL.7021
004	4.508.0550		1	Yes	1		FRONT PANEL COVER -COMFORT S-
005	4.513.0400		1	Yes	1		BLINKER SUPPORT - DARK GREY
006	5.511.1845		2	Yes	1	ORD	PPL BRUSH 457 MM. W/UNIFIED COUPLING FLANGE

D55090044/01



LAVASCIUGA CRS 90 BT -GR.SC.- COMET (9070000900) - Content filters: validity 10/01/2020

R55091235 - GRUPPO TELAIO KRON S2 (30060112+30060113)

Validity: from 24/01/2019 to 31/12/9999



Pos.	Code	Substituted by	Q.ty	Purchasable	Min. Q.ty	For mainten.	Description
0	R55091180		1	No			GRUPPO STERZANTE KRON S 09/06
0	R55091183	5.509.1183	1	Yes	1		GRUPPO MOTORUOTA KRON S-R 90 (30060112)
0	R55092155		1	No			GRUPPO PIATTO SPAZZOLE KRON S3 EV/COMFORT S-R 90/ A18-R 90
0	R55111147		1	No			ASSIEME SQUEGEE KRON S2 09/06
0	R55111426		1	No			ASSIEME SUPPORTO SQG UNIFICATO F2/MIDI-R/ZERO/XS/S/SR
002	5.513.0171		1	Yes	1		KRON S FRAME
004	4.508.1199		1	Yes	1		SQUEGEE PULLEY
006	4.507.1056		1	Yes	1		SQUEGEE SPACER
007	4.507.1055		2	Yes	1		SQUEEGEE STOP BOLT
008	4.507.1037		1	Yes	1		PULLEY PIN X SQUEGEE
009	4.507.1036		1	Yes	1		ACTUATOR FLANGE
010	4.507.1006		1	Yes	1		MICRO BRACKET
011	4.507.0997		1	Yes	1		CHAIN PLATE
012	4.507.0996		1	Yes	1		CHAIN BUSH
013	4.507.1062		1	Yes	1		VACUUM MOTOR HOSE CLAMP
014	4.507.0359		2	Yes	1		ADJUSTING SCREW
016	4.507.0568		1	Yes	1		SPACER FOR STEERING SHAFT
017	4.507.0320		1	Yes	1		PINION FOR STEERING CHAIN TIGHTENER
020	4.507.0213		1	Yes	1		STEERING CAM
021	4.507.0205		1	Yes	1		BRACKET
023	4.506.0049		2	Yes	1		BUSHING
028	4.506.0275		2	Yes	1		RACCORDO PORTAGOMMA DIRITTO 3/4M D.int.16
030	3.100.0120		2	Yes	1		UNION ELBOW 90 DEGREES M/F 3/4
033	3.099.0539		1	Yes	1		ELASTIC RING D. 28 UNI7437
044	3.003.0402		2	Yes	1		NUT MB24x2 UNI 5589 INOX -DANY024001-
063	3.001.0055		1	Yes	1		BEARING 6001 2RS1 12X28X8
064	3.001.0053		1	Yes	1		BALL BEARING 6006 2RS 30X47X9
066	3.001.0013		1	Yes	1		BEARING 6008 2RS1
067	5.511.1154		2	Yes	1		COMPLETE REAR WHEEL FOR KRON S
071	3.102.0009		1	Yes	1	ORD	WATER FILTER F/F 3/4 MESH 80INOX
077	4.513.0341		1	Yes	1		RIGHT BOTTOM COVERS KRON S2

LAVASCIUGA CRS 90 BT -GR.SC.- COMET (9070000900) - Content filters: validity 10/01/2020



R55091235 - GRUPPO TELAIO KRON S2 (30060112+30060113)

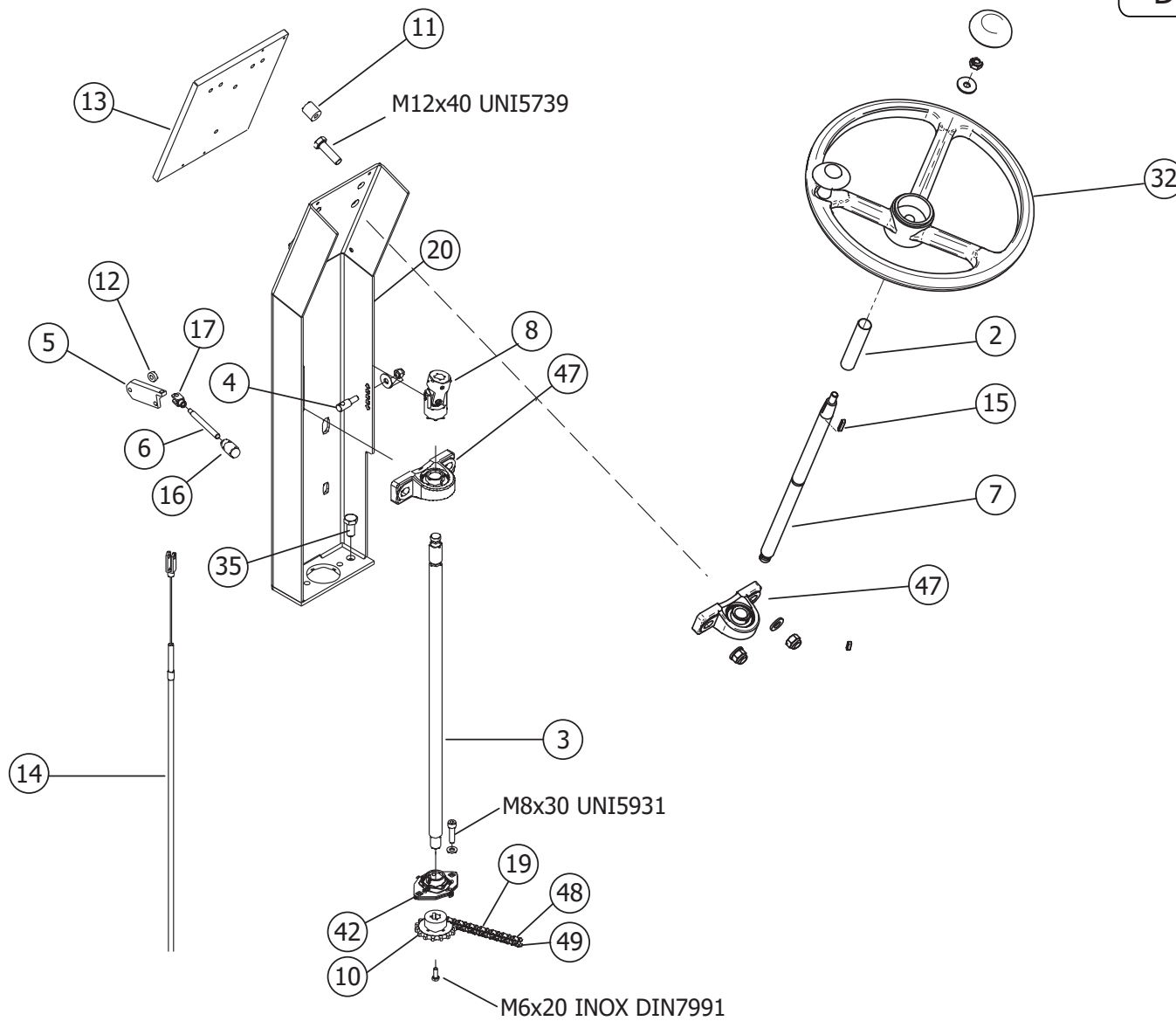
Validity: from 24/01/2019 to 31/12/9999

10/01/2020

Page 7 / 31

Pos.	Code	Substituted by	Q.ty	Purchasable	Min. Q.ty	For mainten.	Description
078	4.513.0342		1	Yes	1		LEFT BOTTOM COVERS KRON S2
079	4.507.1059		2	Yes	1		COVER SPACER

D55090042/01

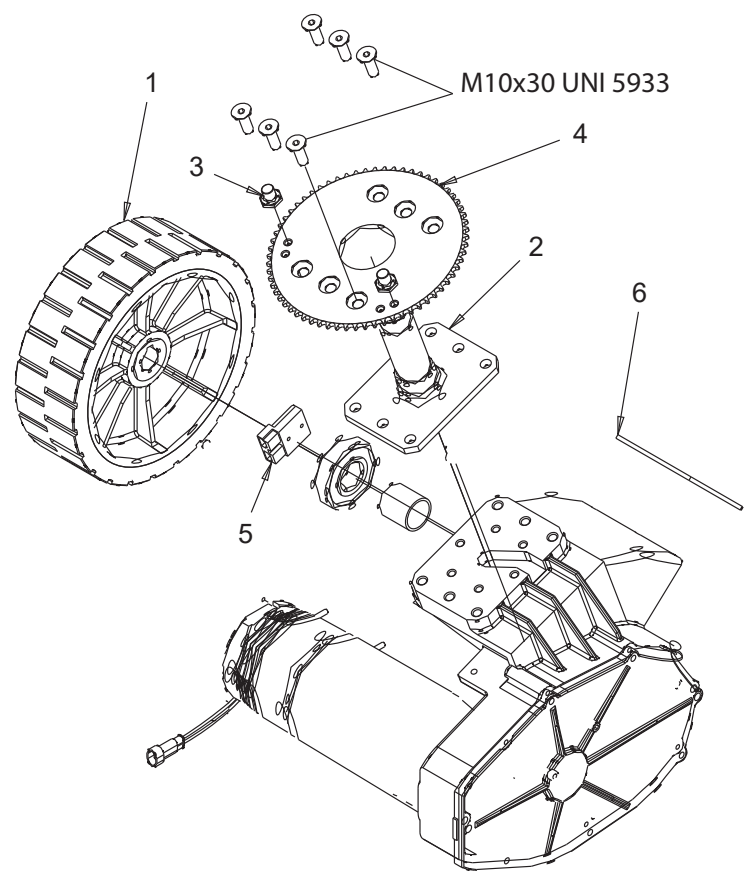


LAVASCIUGA CRS 90 BT -GR.SC.- COMET (9070000900) - Content filters: validity 10/01/2020

R55091180 - GRUPPO STERZANTE KRON S 09/06

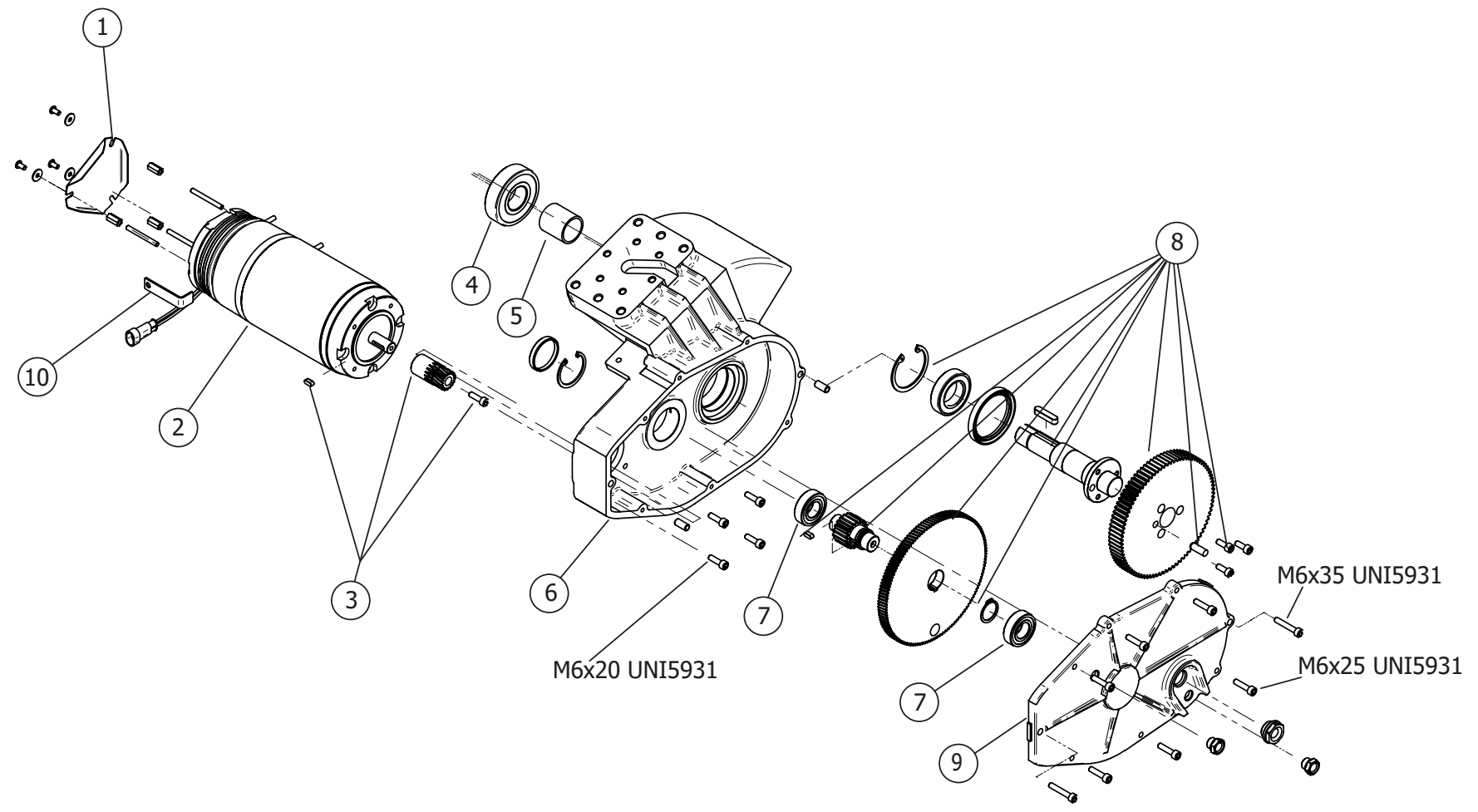
Validity: from 15/01/2018 to 31/12/9999

Pos.	Code	Substituted by	Q.ty	Purchasable	Min. Q.ty	For mainten.	Description
003	4.507.1041		1	Yes	1		STEERING (BOTTOM)
005	4.507.0318		1	Yes	1		PLATE
006	4.507.0317		1	Yes	1		SHAFT FOR KNOB
007	4.507.0279		1	Yes	1		UPPER STEERING SHAFT
008	3.099.1134		1	Yes	1		CARDAN JOINT GS 32.16
012	4.506.0068		1	Yes	1		SPACER 6.5X15x5 1
014	3.099.0520		1	Yes	1		TRANSMISSION COMPLETE WITH WIRE-SLEEVE AND FORK
015	3.099.0558		1	Yes	1		FEATHER KEY 5X5X25 UNI 6604A 1
017	3.099.0337		1	Yes	1		WATER GEAR CONTROL M6+CLIP
020	5.513.0196		1	Yes	1		STEERING COLUMN
032	3.099.0701		1	Yes	1		STEERING WHEEL
042	3.001.0035		1	Yes	1		BEARING HOUSING + BEARING BPFL4
047	3.001.0047		2	Yes	1		STRAIGHT SUPPORT D.20



Pos.	Code	Substituted by	Q.ty	Purchasable	Min. Q.ty	For mainten.	Description
0	R55111151		1	No			ASSIEME MOTORUOTA 09/06
001	3.006.0112		1	Yes	1	EXT	FRONT WHEEL KRON S/M
002	5.513.0166		1	Yes	1		MOTORWHEEL SHAFT
003	4.507.0995		2	Yes	1		MOTORWHEEL STOP BOLT
004	4.507.0981		1	Yes	1		STEERING CROWN WHEEL
005	3.499.0029		1	Yes	1		RED CONNECTOR SR50
006	4.508.0322		1	Yes	1		SPLASH GUARD KRON S - M 1

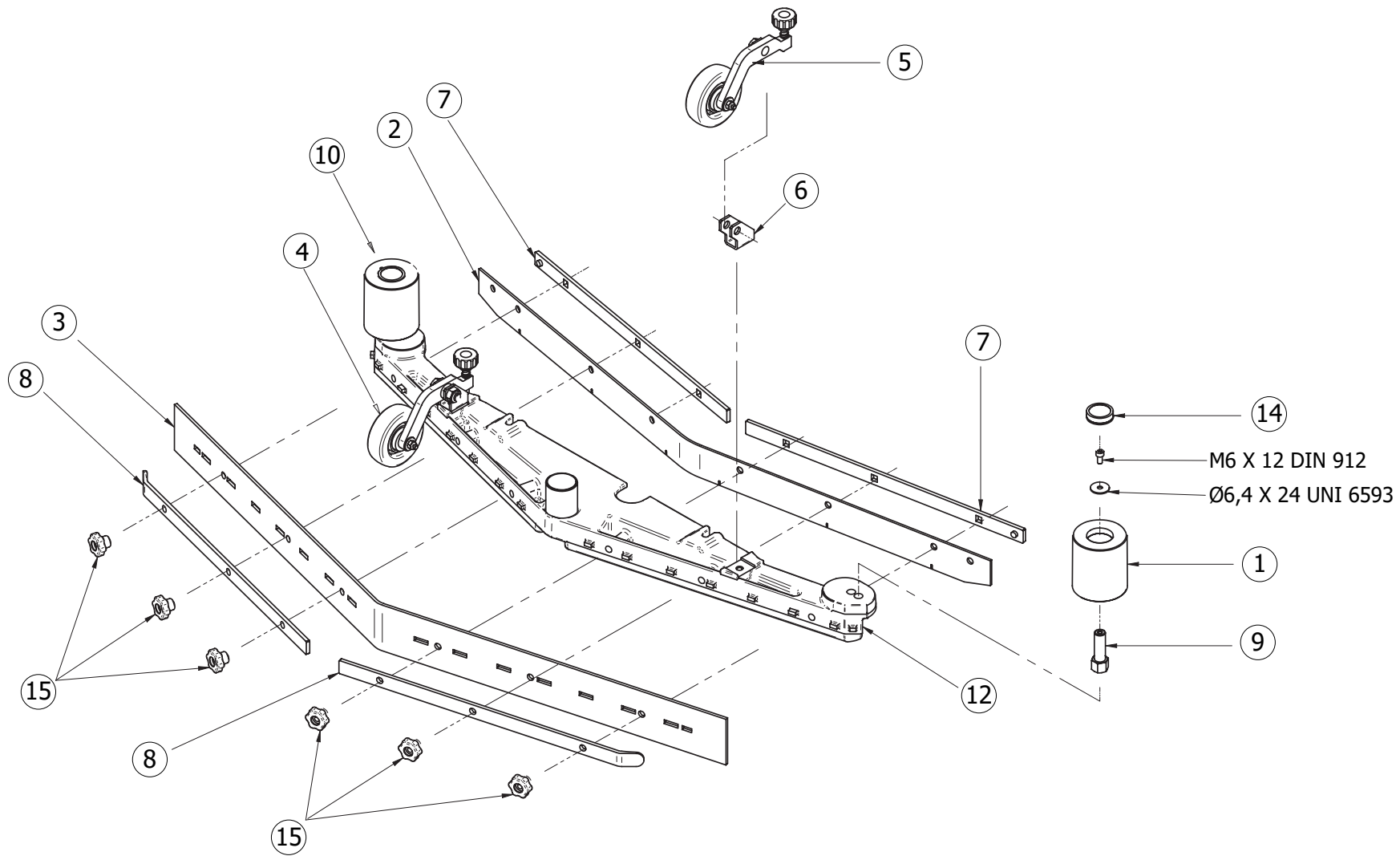
D55110030/01



Pos.	Code	Substituted by	Q.ty	Purchasable	Min. Q.ty	For mainten.	Description
001	4.507.1138		1	Yes	1		ALUMINIUM FOOTBOARD
002	5.501.0052		1	Yes	1	EXT	MOTOR S114M 24V 900W 3200 RPMW/BRAKE
003	5.511.1152		1	Yes	1	EXT	MOTOR PINION KIT
004	3.001.0048		1	Yes	1		BEARING 6306 2RS1 30X72X19
005	4.507.0734		1	Yes	1		SPACER FOR MOTORWHEEL - KRON ZERO
006	4.505.0116		1	Yes	1		MOTORWHEEL FRAME - KRON ZERO
007	3.001.0034		2	Yes	1		BALL BEARING 6004 2RS (42X20X12)
008	5.511.1153		1	Yes	1		MOTORWHEEL SPARE PARTS KIT
009	4.505.0117		1	Yes	1		MOTORWHEEL COVER - KRON ZERO

Pos.	Code	Substituted by	Q.ty	Purchasable	Min. Q.ty	For mainten.	Description
004	5.511.1844		1	Yes	1		COMPLETE BRUSH PLATE MOTOR
009	4.508.0704		1	Yes	1		AXLE
010	4.508.0299		1	Yes	1		NYLON CENTRING BUSHING
012	4.508.0224		4	Yes	1	EXT	BUMPER WHEEL D.110 GREY
015	4.507.1538		1	Yes	1		BRUSH PLATE 90
016	4.507.1074		2	Yes	1		BAR
017	4.507.0467		1	Yes	1		SPRING
020	4.507.0335		1	Yes	1		COMPRESSION SPRING
022	4.507.0151		2	Yes	1		MOTOR SUPPORT
026	4.505.0874		1	Yes	1		DRIVEN PULLEY - KRON ZERO
028	4.505.0032		1	Yes	1		RING NUT
039	3.099.0544		1	Yes	1		SEEGER RING D=35 UNI 7435-35
040	3.099.1511		2	Yes	1		SPEED REDUCER RI40
041	3.099.0856		1	Yes	1	EXT	BELT POLY-V 130J 330 H=12
068	5.511.1173		2	Yes	1		BRUSH COUPLING ASSEMBLY KRON ZERO
080	4.507.1092		2	Yes	1		RIDUCTOR PROTECTION DISC

D55110012/01

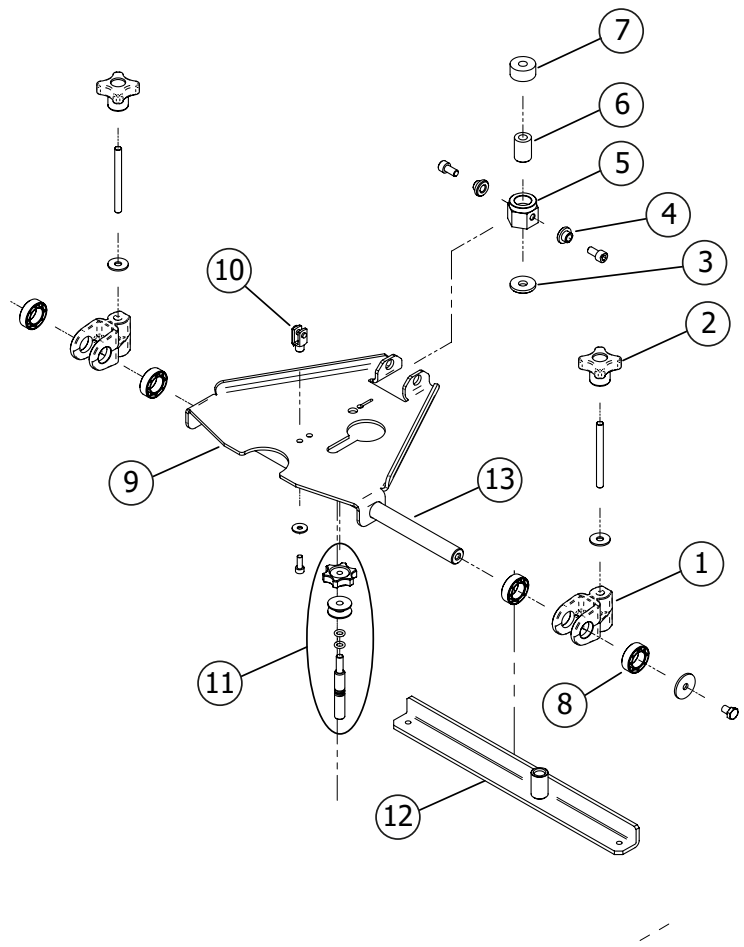


LAVASCIUGA CRS 90 BT -GR.SC.- COMET (9070000900) - Content filters: validity 10/01/2020

R55111147 - ASSIEME SQUEGEE KRON S2 09/06

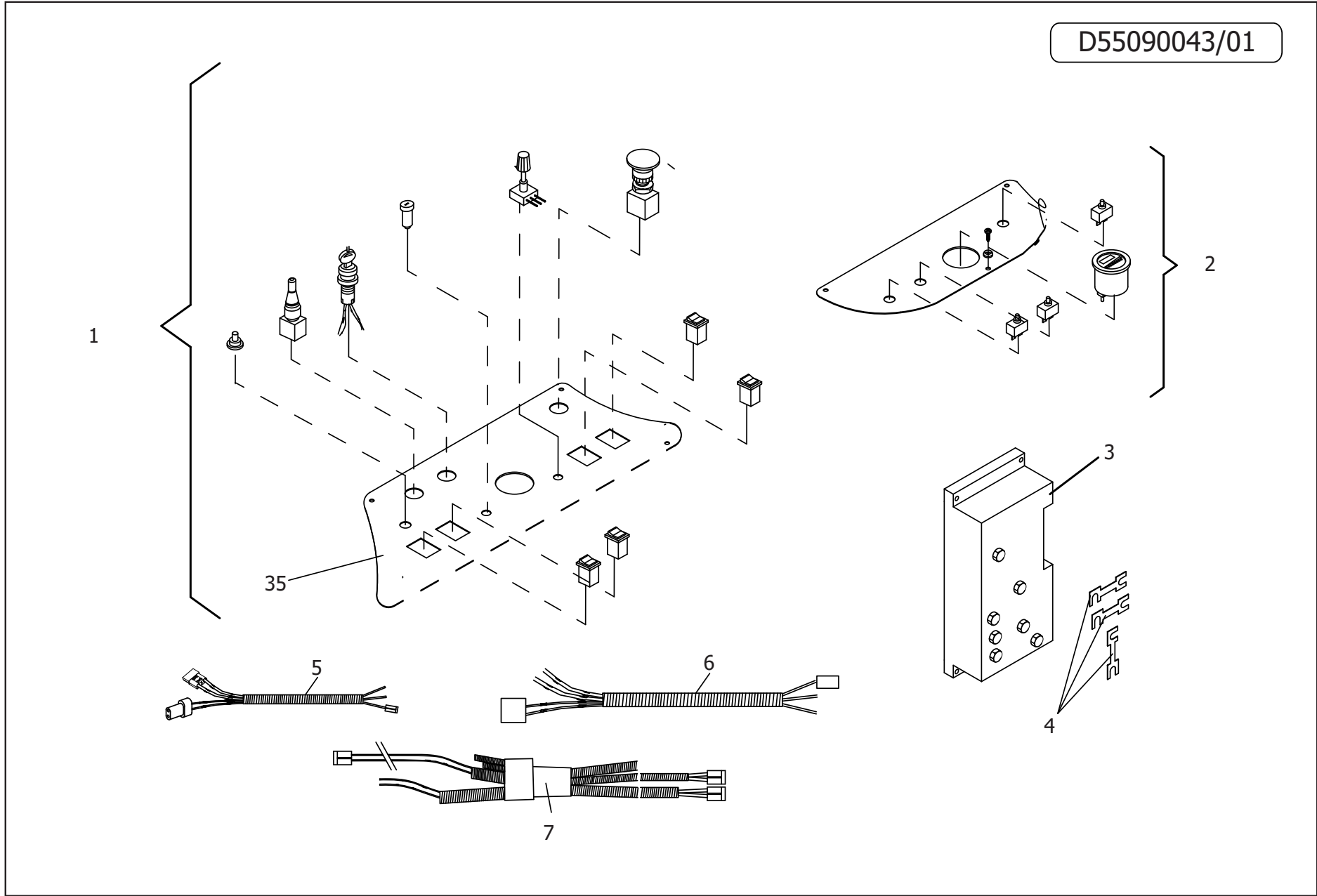
Validity: from 16/01/2018 to 31/12/9999

Pos.	Code	Substituted by	Q.ty	Purchasable	Min. Q.ty	For mainten.	Description
001	4.508.1210		2	Yes	1	EXT	BUMPER WHEEL
002	4.508.1196		1	Yes	1	ORD	FRONT SQUEEGEE BLADE
003	4.508.1195		1	Yes	1	ORD	REAR SQUEEGEE BLADE
005	5.511.1067		2	Yes	1	EXT	SQUEEGEE WHEEL ASSEMBLY
006	4.507.0986		2	Yes	1		WHEEL LEVER SUPPORT
007	4.507.1032		2	Yes	1		FRONT HANGER OF LOCKING
008	4.507.1031		2	Yes	1		REAR HANGER OF LOCKING
009	4.507.0361		2	Yes	1		BUMPER WHEEL SUPPORT
012	4.505.0179		1	Yes	1		SQUEEGEE
014	3.099.1399		2	Yes	1		CAP FOR BUMPER WHEEL
015	3.099.0467		6	Yes	1		KNOB M8



Pos.	Code	Substituted by	Q.ty	Purchasable	Min. Q.ty	For mainten.	Description
001	5.513.0170		2	Yes	1		DIE-CAST SQUEEGEE SUPPORT
002	4.507.0344		1	Yes	1		WASHER
004	4.506.0229		2	Yes	1		BUSHING
005	4.508.0647		4	Yes	1		SPACER
006	4.506.0246		1	Yes	1		VERTICAL ARTICULATED JOINT
007	4.507.1217		1	Yes	1		SQUEEGEE SPACER
008	4.507.1214		1	Yes	1		HORIZONTAL ARTICULATED JOINT
009	4.507.1028		1	Yes	1		SQUEEGEE SUPPORT
010	3.099.0337		1	Yes	1		WATER GEAR CONTROL M6+CLIP
011	5.511.1149		1	Yes	1		SQUEEGEE AJUSTING SET 09/06
012	4.507.0987		1	Yes	1		ANTIROTATION BAR
013	4.507.0985		1	Yes	1		SQUEEGEE AXIS

D55090043/01



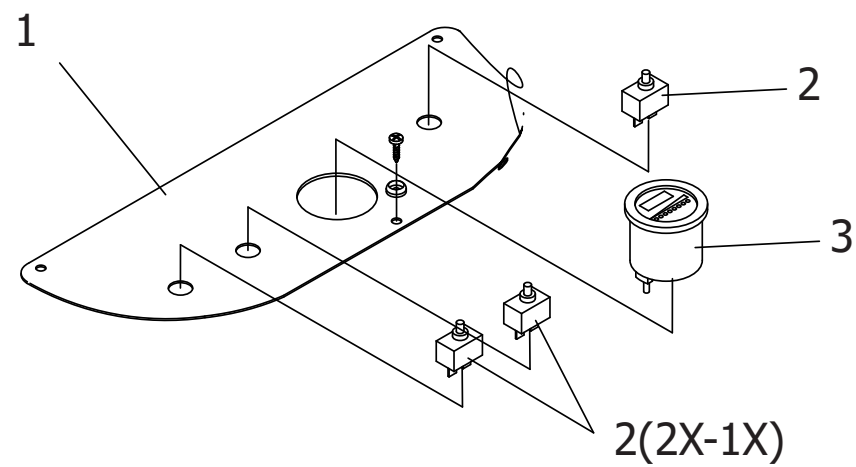
LAVASCIUGA CRS 90 BT -GR.SC.- COMET (9070000900) - Content filters: validity 10/01/2020

R55091343 - GRUPPO IMPIANTO ELETTRICO COMFORT SR -2007-

Validity: from 24/01/2019 to 31/12/9999

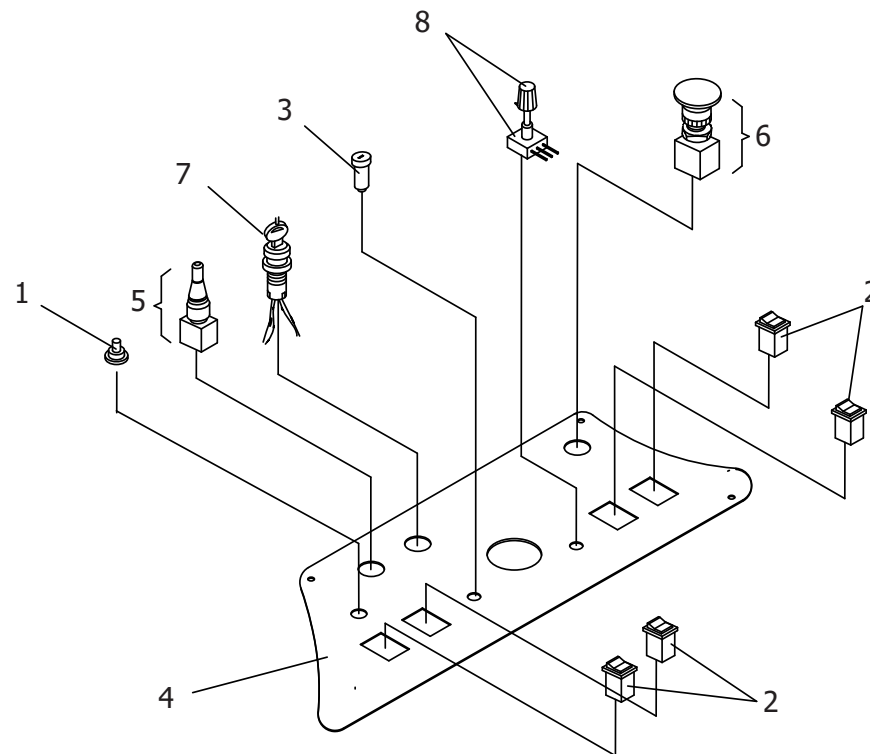
Pos.	Code	Substituted by	Q.ty	Purchasable	Min. Q.ty	For mainten.	Description
0	R55111278		1	No			ASSIEME CRUSCOTTO ANTERIORE
0	R55111594		1	No			ASSIEME CRUSCOTTO POSTERIORE CON STACCABATTERIA+SPA GALLEG.
001	5.511.1594		1	Yes	1		ASSIEME CRUSCOTTO POSTERIORE CON STACCABATTERIA+SPA GALLEG.
002	5.511.1278		1	Yes	1		ASSEMBLY FRONT PANEL
003	5.511.1815		1	Yes	1		CHOPPER CARD KRON ZERO 07/2006
004	6.505.0032		1	Yes	1	EXT	KIT STRIP FUSE FOR COMFORST SR
006	3.499.0335		1	Yes	1		REAR CABLING 09/06
007	3.499.0334		1	Yes	1		FRONT CABLING 24V 09/06

D55110042/01



Pos.	Code	Substituted by	Q.ty	Purchasable	Min. Q.ty	For mainten.	Description
002	6.605.0031		1	Yes	1		LWB PISTON BUSHES KIT
003	3.403.0145		1	Yes	1	EXT	BATTERY CHARGE INDICATOR

D55110041/01



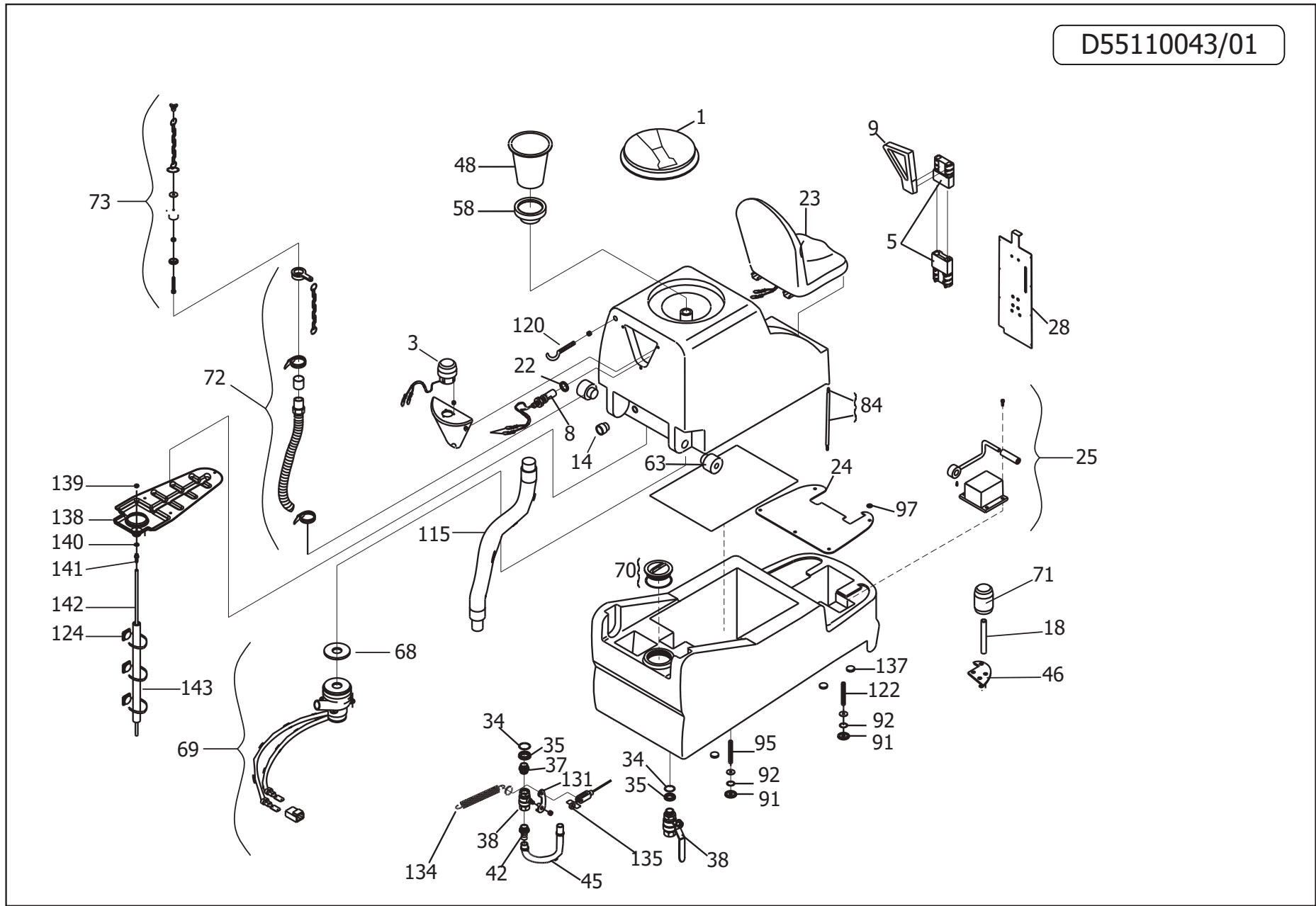
LAVASCIUGA CRS 90 BT -GR.SC.- COMET (9070000900) - Content filters: validity 10/01/2020

R55111594 - ASSIEME CRUSCOTTO POSTERIORE CON STACCABATTERIA+SPA GALLEG.

Validity: from 23/02/2010 to 31/12/2099

Pos.	Code	Substituted by	Q.ty	Purchasable	Min. Q.ty	For mainten.	Description
001	3.401.0103		1	Yes	1	EXT	PUSH BUTTON
002	6.505.0033		1	Yes	1	EXT	SWITCH KIT
003	3.499.0124		1	Yes	1	EXT	FUSE 20A
004	4.505.0240		1	Yes	1		CRUSCOTTO INFERIORE CON STACC. CONFORT SR
004	5.511.1158		1	Yes	1		EMERGENCY SWITCH ASSEMBLY
005	5.511.0612		1	Yes	1		KRON S JOYSTICK ASSEMBLY
007	3.401.0222		1	Yes	1		BATTERY MAIN SWITCH
008	6.505.0035		1	Yes	1	EXT	POTENTIOMETER+KNOB

D55110043/01



LAVASCIUGA CRS 90 BT -GR.SC.- COMET (9070000900) - Content filters: validity 10/01/2020

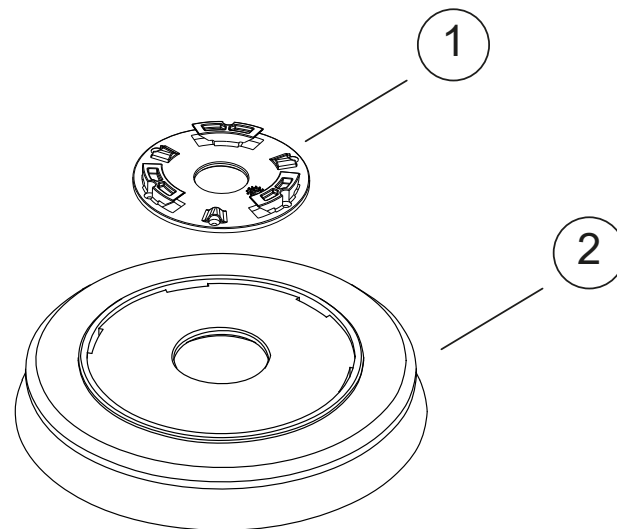
R55111276 - ASSIEME COMPONENTI SERBATOI COMFORT SR 2007

Validity: from 24/01/2019 to 31/12/9999

Pos.	Code	Substituted by	Q.ty	Purchasable	Min. Q.ty	For mainten.	Description
001	3.099.1323		1	Yes	1		TILTING COVER ARAG 356040
003	3.499.0035		1	Yes	1	EXT	BLINKER 24/36V D.86 H.100
008	3.403.0043	5.511.1228	1	Yes	1	EXT	FLOATING SWITCH
009	3.499.0037		1	Yes	1		HANDLE FOR ANDERSON PLUG
014	4.508.0877		1	Yes	1		DRAIN HOSE COUPLING X COMFORTS
018	4.505.0153		2	Yes	1		BOOMPER PIN -COMFORT S-
022	3.201.0043		1	Yes	1		SEALING RING
023	3.099.0480		1	Yes	1		SMALL SEAT RID. W/RUNNERS SKYMICRO -SML010RM- 1
025	5.511.2099		1	Yes	1		ASSIEME TAPPETINO + PEDALIERA COMPLETA PER COMFORT S-R 90
034	3.200.0124		2	Yes	1		O-RING 4112 28.17X3.53
035	4.506.0063		2	Yes	1		WASHER 3/4 FOR O-RING 4112
037	3.100.0090		2	Yes	1		NIPPLE 3/4 -3/4
038	3.105.0009		2	Yes	1		BALL VALVE 3/4" F/F
045	3.099.1086		1	Yes	1		ARMONVILLE HOSE D.=20 L.=295
046	4.507.0929		2	Yes	1		BOOMPER PLATE -COMFORT S-
048	4.508.0320		1	Yes	1		SUCTION CONE KRON S1
058	4.508.0716		1	Yes	1	ORD	FILTER - KRON M
063	4.508.0827		2	Yes	1		COMFORT XS PIN
068	4.508.0163		1	Yes	1		GASKET FOR SUCTION MOTOR
069	5.511.1301	5.511.1391	1	Yes	1	EXT	VACUUM MOTOR KIT WITH GASKET AND CONNECTOR
070	5.511.0395		1	Yes	1		SOLUTION TANK CAP ASSEMBLY
071	4.508.0876		2	Yes	1		CYLINDRICAL BOOMPER -COMFORT S-
072	5.511.0195		1	Yes	1	EXT	DRAIN HOSE ASSEMBLY KRON
073	5.511.0421		1	Yes	1	EXT	DRAIN HOSE CAP ASSEMBLY
084	5.511.0429		2	Yes	1		TANK RETAINER CHAIN ASSEMBLY -KRON S
091	4.506.0081		4	Yes	1		GROMMET
092	3.200.0156		4	Yes	1		OR GASKET 20X28X20
095	3.002.0236		2	Yes	1		SCREW M10X50 DIN 914 INOX
115	3.099.0739		1	Yes	1		HOSE SUPERFLEX KLL M D.38+2 COUPLINGS D.38 L=1701
120	4.507.0133		1	Yes	1		HOOK HOLDER FOR DRAIN HOSE
122	4.506.0040		2	Yes	1		INSERT D.6 L19.50mm

Pos.	Code	Substituted by	Q.ty	Purchasable	Min. Q.ty	For mainten.	Description
131	4.507.0235		1	Yes	1		WATER VALVE LEVER
134	4.507.0345		1	Yes	1		SPRING FOR WATER TAP LEVER
135	4.506.0068		1	Yes	1		SPACER 6.5X15x5 1

D55110033/01



Pos.	Code	Substituted by	Q.ty	Purchasable	Min. Q.ty	For mainten.	Description
001	4.508.1192		1	Yes	1	EXT	UNIFIED FLANGE FOR BRUSH COUPLING
002	3.602.0075		1	Yes	1		PPL BRUSH MOD.32-SR90 D.457/18